

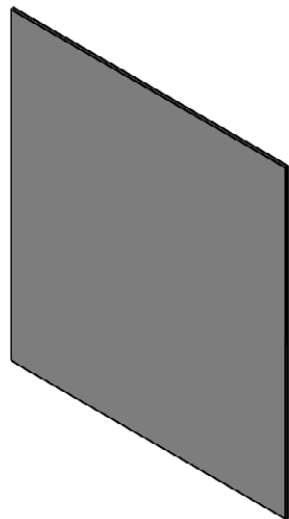
DIVIDE THINLINE™

TOP CLAMP & SIDE CLAMP

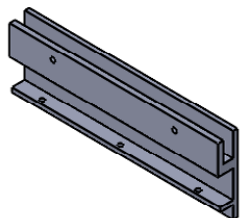
Installation Instructions

**PLEASE READ ALL INSTRUCTIONS
BEFORE INSTALLATION**

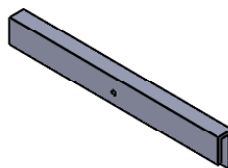




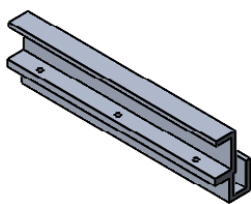
Glass



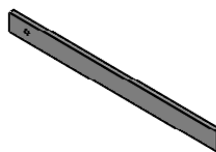
ThinLine Top Clamp*



ThinLine Top Shim*



ThinLine Side Clamp*



ThinLine Side Shim*

INCLUDED HARDWARE

Depending on the order, either of the clamp shims are provided as a pair together.

- 10mm Socket head set screw (**Fig. A**)
- 30mm Socket head set screw (**Fig. B**)
- Pressure plate (**Fig. C**)
- Corner bracket (**Fig. D**)
- Nylon tip set screws (**Fig. E**)

**Depending on width of glass, size of clamp, and/or type of clamp, quantity varies*



Fig. A 10mm Socket head set screw*



Fig. B 30mm Socket head set screw*



Fig. C Pressure plate*

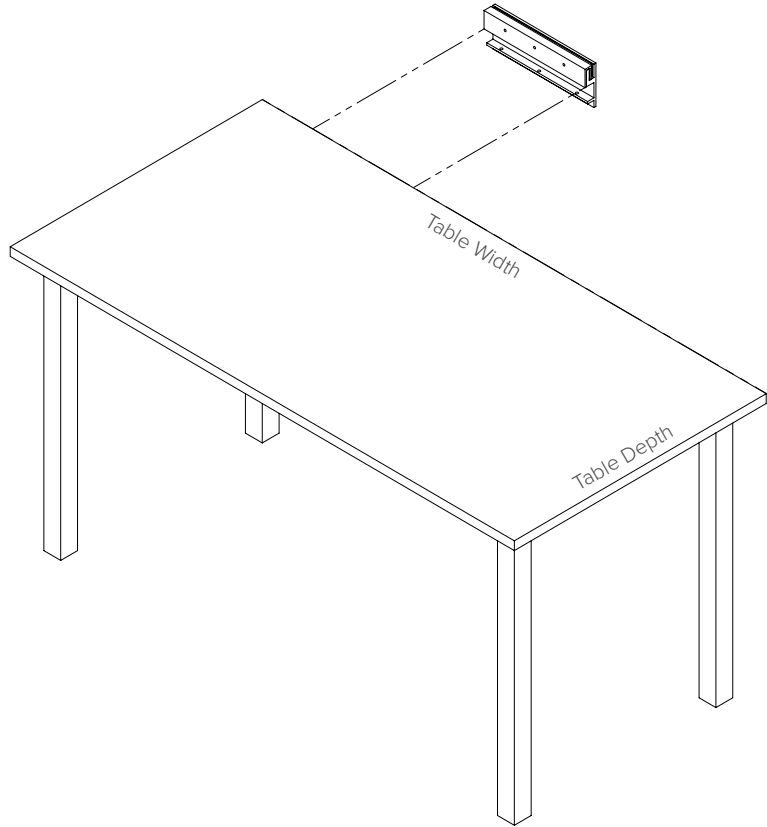


Fig. D Corner bracket



Fig. E Nylon tip set screws

Fig. F



STEP 1

Back Glass (widest panel): Of the three glass panels provided, it is wider and has to be installed along the back of the table.

Side Glass: The other 2 panels are side glass panels and have to be installed along the sides of the table.

Slide clamp shim assembly on to the table as shown (Fig. F). Location of each clamp shim assembly on table and the number of clamp shim assemblies on each edge of the table is described in the tables.

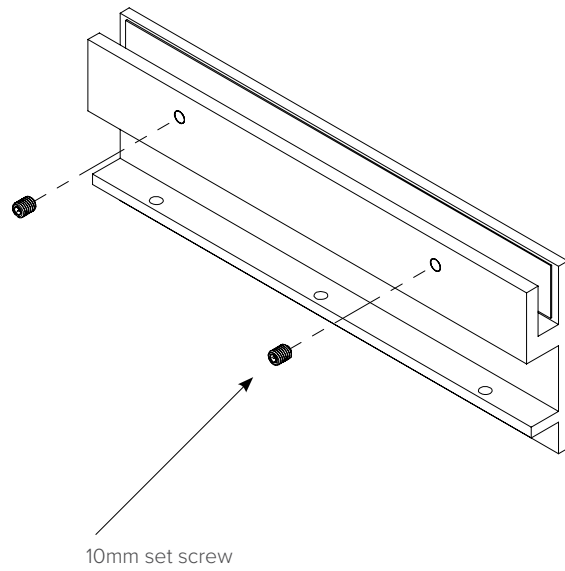
Note: For each piece of glass, the two clamps at the ends should be 3" (76mm) from the edge, unless otherwise noted below. Any other clamps should be evenly spaced between them.

12" (305MM) CLAMP			
Table Width		Table Depth	
< 72" (1829mm)	2 clamps 6" (152mm) from edges	< 36" (914mm)	1 clamp centered per table side
> 72" (1829mm)	2 clamps 6" (152mm) from edges 1 clamp installed exactly at center	> 36" (914mm)	2 clamps on the sides

6" (152MM) CLAMP			
Table Width		Table Depth	
< 66" (1676mm)	3 clamps along the back	< 36" (914mm)	2 clamps on the sides
> 66" (1676mm)	4 clamps along the back	> 36" (914mm)	3 clamps on the sides

2 1/2" (64MM) CLAMP			
Table Width		Table Depth	
< 48" (1219mm)	3 clamps along the back	< 30" (762mm)	2 clamps on the sides
48" (1219mm) - 66" (1676mm)	4 clamps along the back		
66" (1676mm) - 84" (2134mm)	5 clamps along the back	> 30" (762mm)	3 clamps on the sides
> 84" (2134mm)	6 clamps along the back		

Fig. G*

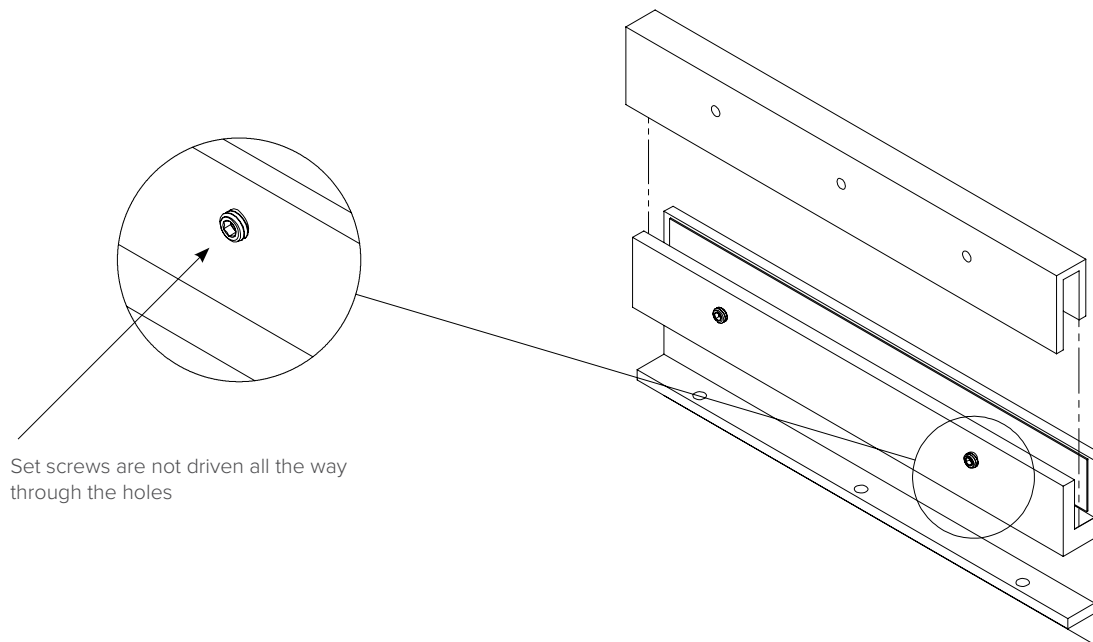


STEP 2

Drive 10mm set screws into empty holes of clamp as shown (Fig. G) but do not stick them all the way through the holes.

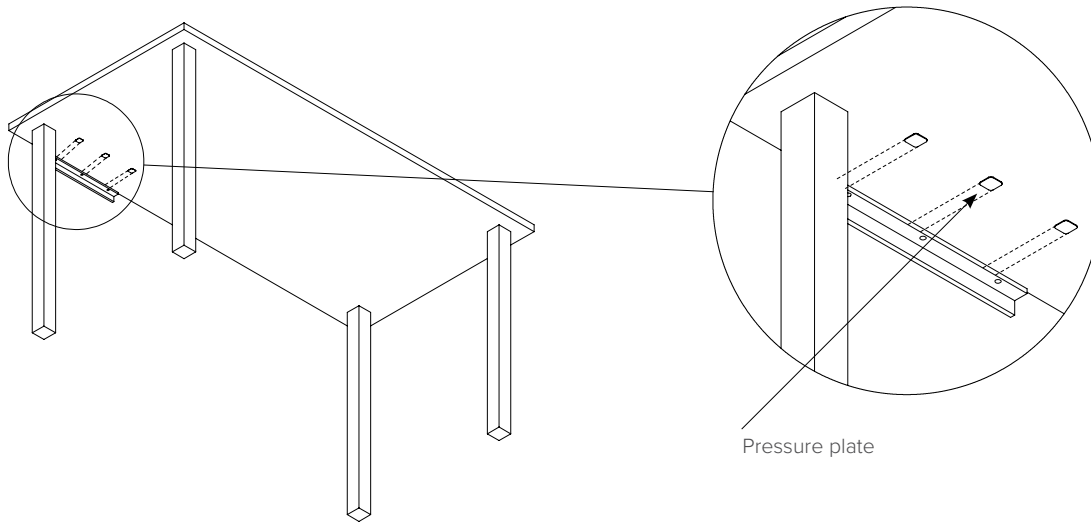
Place shim in the slots of each clamps as shown (Fig. H).

Fig. H*



*Top Clamp shown in demonstration. Please use same method to complete Side Clamp installation.

Fig. I*

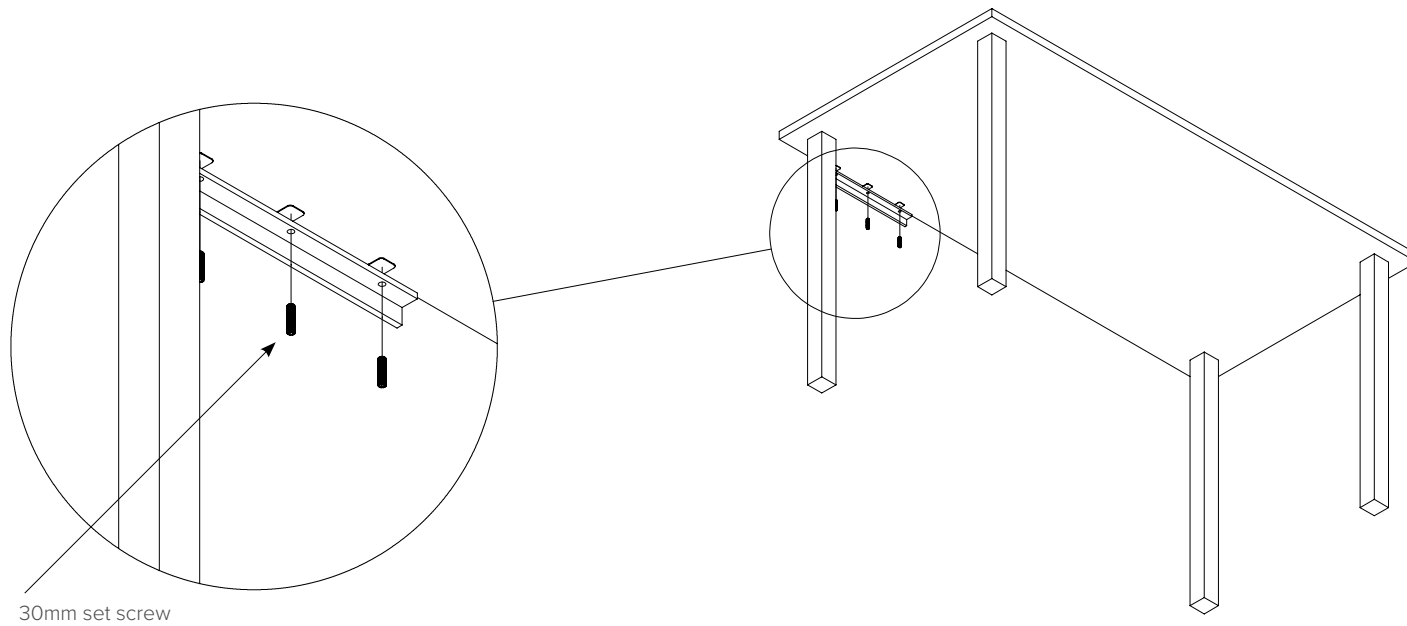


STEP 3

Slide in the pressure plates in the gap between clamp and table (Fig. I).

Drive 30mm set screws into empty holes of clamp under the table to tighten pressure plate on to the table (Fig. J).

Fig. J*



*Top Clamp shown in demonstration. Please use same method to complete Side Clamp installation.

Fig. K*

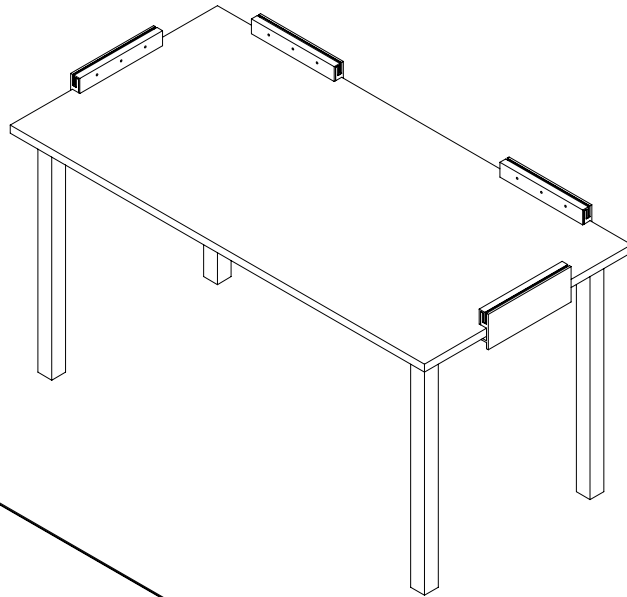
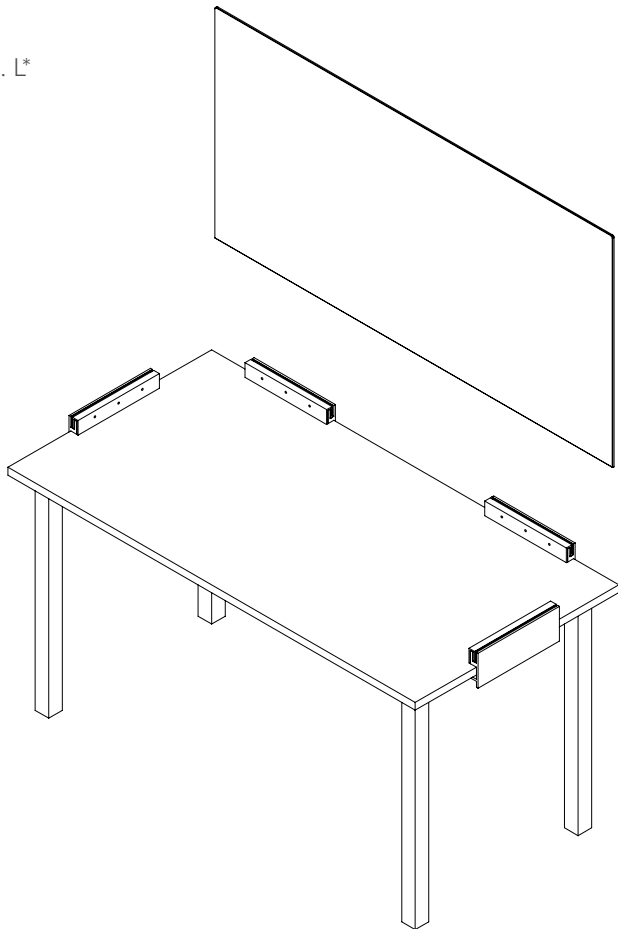


Fig. L*



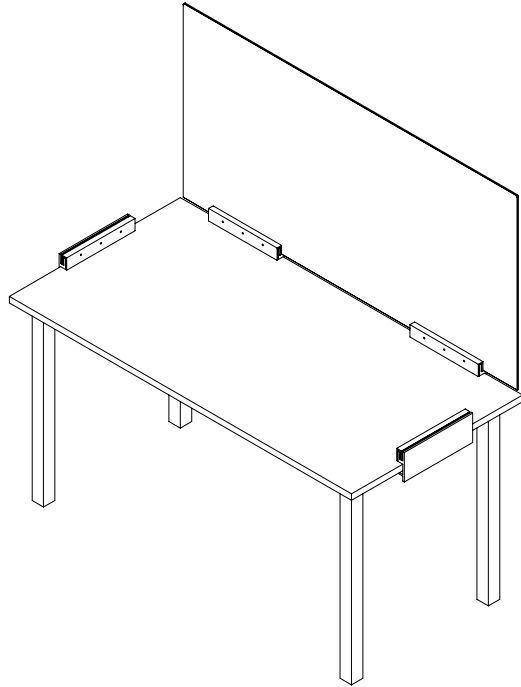
STEP 4

Attach all clamp shim assemblies on to the table as described in the previous steps (Fig. K).

Slide in back glass into the pockets of the clamp shim assembly and center it along width of the table (Fig. L).

*Top Clamp shown in demonstration. Please use same method to complete Side Clamp installation.

Fig. M*

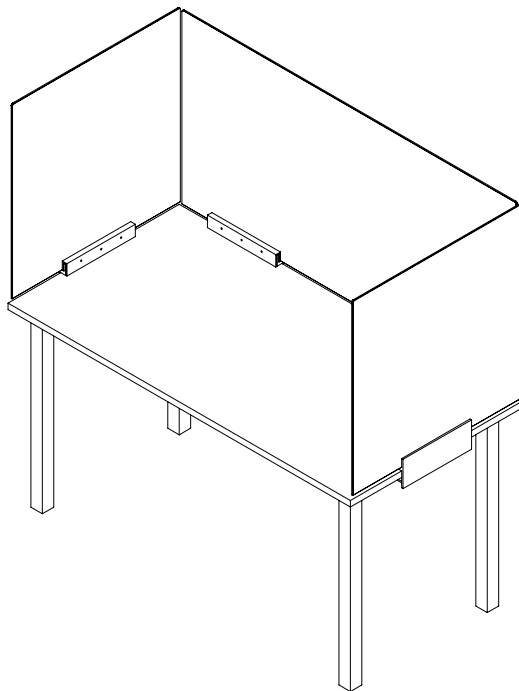


STEP 5

Once back glass is centered on table, tighten previously installed set screws in the back clamps with allen key provided (**Fig. M**).

Slide in side glass into slots of side clamps (**Fig. N**).

Fig. N*



*Top Clamp shown in demonstration. Please use same method to complete Side Clamp installation.

STEP 6

Front edge of side glass must be $1/2''$ (13mm) away from the front of the table (Fig. O).

Back edge of side glass must be flush with the back face of the back glass (Fig. P).

Once side glass is adjusted as shown below, tighten previously mentioned 10mm set screws with allen keys provided.

Fig. O (Divide ThinLine shown from above).

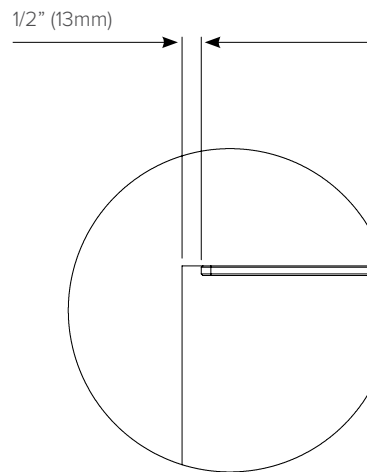


Fig. P

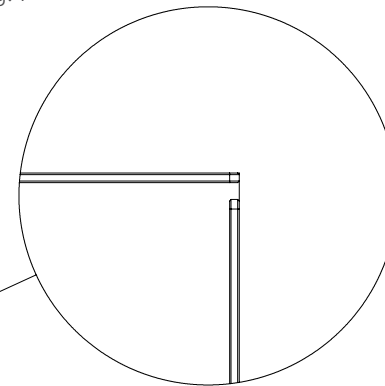
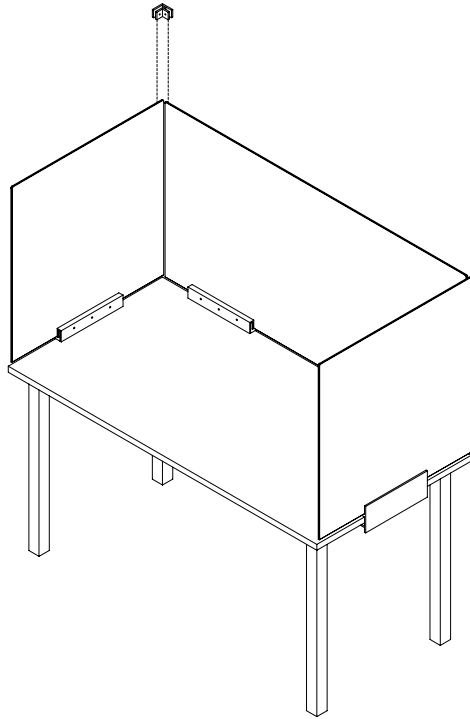


Fig. Q*



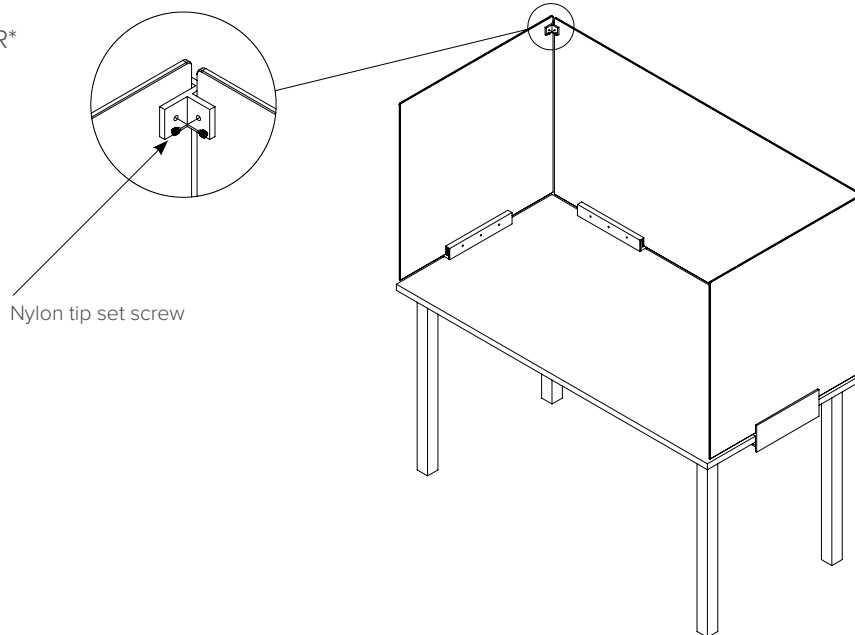
STEP 7

Align corner bracket with edge of side glass and back glass and slide it down along the faces of side glass and back glass as shown (Fig. Q). Top face of corner bracket must be 1" (25mm) below top face of the glass (Fig. R).

Install nylon tip set screws into holes of corner bracket (Fig. R).

Repeat this step for the other corner bracket on the other side.

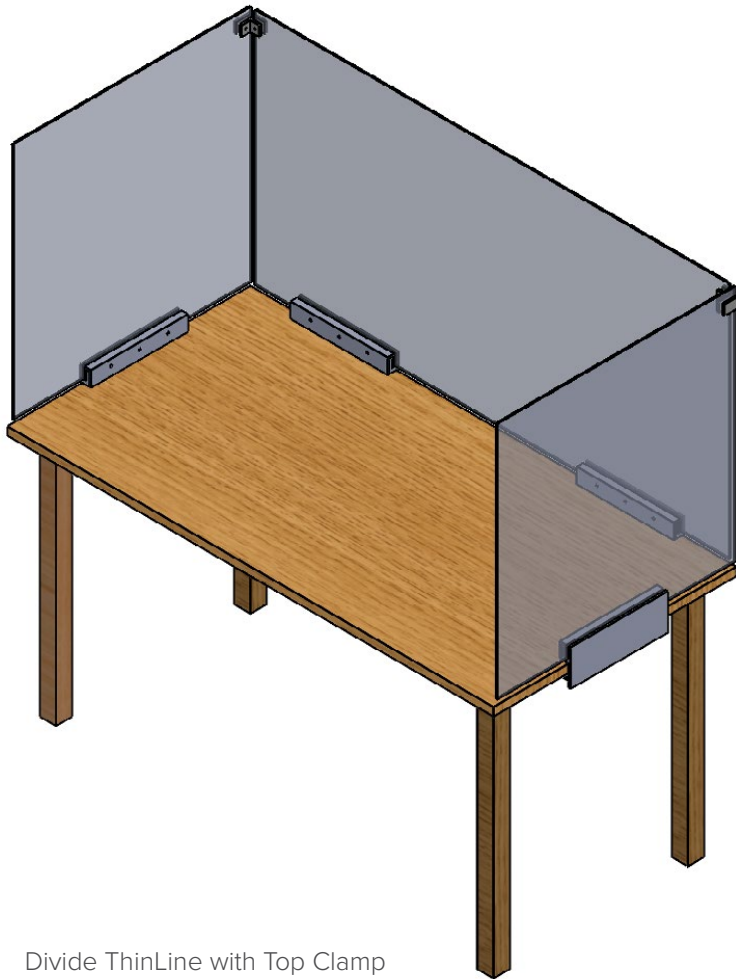
Fig. R*



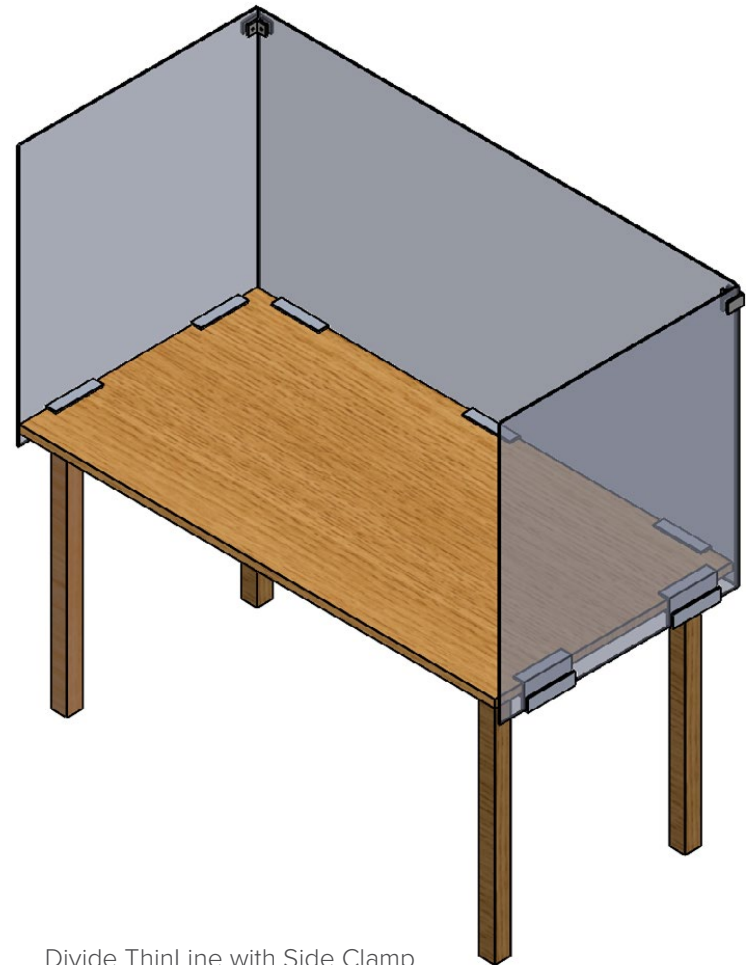
*Top Clamp shown in demonstration. Please use same method to complete Side Clamp installation.

STEP 8

Your Divide ThinLine is now assembled and ready!



Divide ThinLine with Top Clamp



Divide ThinLine with Side Clamp