



VIEW

Installation Instructions

TOOLS NEEDED

- Drill
- 1/4" Drill Bit
- Square Head Screw Driver
- Phillips Head Screw Driver
- Level
- Tape Measure
- Pencil
- Safety Gloves
- Safety Goggles
- Glass Lifters
- 3" or 4" Solid Blocks

PROVIDED HARDWARE

- #8 Screws
- Drywall Anchors
- Wall Bracket (Z-Bar)
- Wall Bracket Shims

PREPARE YOUR VIEW



Fig. A

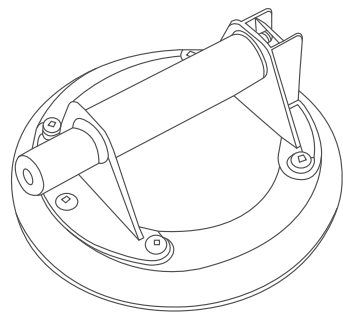


Fig. B

1. If the crate has been exposed to temperatures below 50 °F, allow it to sit for 3 hours and reach room temperature. Do **NOT** unpack or open the crate prior to this.
2. Inspect the exterior of the crate. Take pictures of any damage or indications of tampering.
3. Locate the front of the crate by referring to crate stickers (**Fig. A**). Do **NOT** open crate from rear.
4. Using 2-3 people spread evenly across the front of the crate, carefully tip the crate back, far enough to set the front of the base on 3-4" blocks.
5. Taking care not to damage the glass face of View board(s), remove the 1"x4" wood and plywood panels from front of the crate.
6. Inspect the interior of the crate. Take pictures of any damage or indication of tampering.
7. Carefully remove View board stiffeners. The scrails used to attach internal bracing should be removed with a square bit screwdriver. Do **NOT** attempt to pry these fasteners out as this pressure may cause damage to your View board.
8. Remove View boards one at a time using vacuum-type glass lifters (**Fig. B**). Note that the plastic stretch wrapping may cause multiple boards to stick together. Once View is removed from its crate, do **NOT** tilt, lay flat, or twist the board.
9. Do **NOT** remove stretch wrapping or packing foam from View boards at this time. View boards should be moved to installation location using lifters and remain in packaging until ready to install.
10. View boards should remain upright **AT ALL TIMES** when moving the board to its final install location. View should be rested only on solid surfaces and not on blocks or uneven/unsecure items.

INSTALLATION

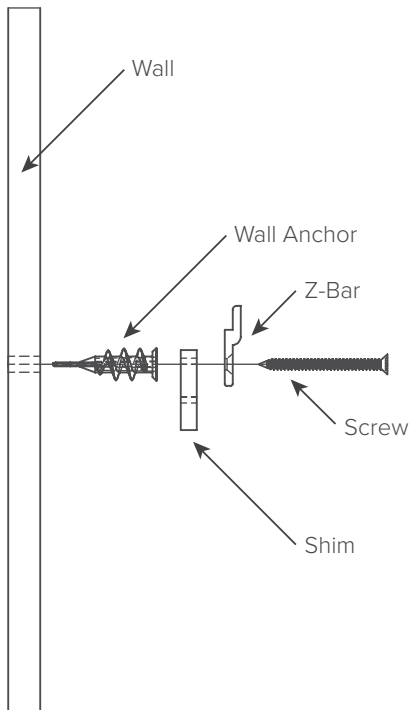


Fig. C

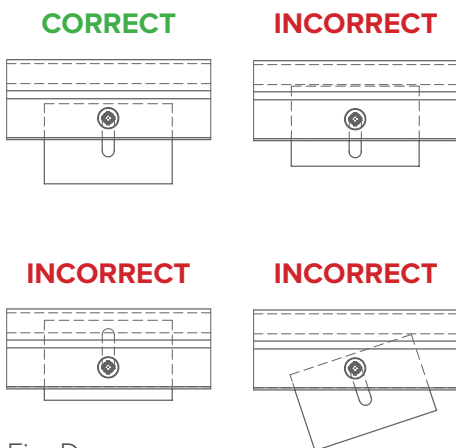


Fig. D

1. Review the installation location.
 - i. Confirm wall flatness is within 0.25" across entire View area
 - ii. Confirm 3" clearance on all sides of View
 - iii. Hollow wall anchors are provided. Installer will need to provide anchors for other wall types
2. Slowly remove the plastic wrapping and black shipping foam from the top and sides of the View board, taking care not to scratch the trim or glass. Leave bottom foam on the board until ready to install. If measurements are needed for install, carefully lift View out of the bottom foam using vacuum glass lifters and replace back into foam when finished.
3. Measure and locate z-bar locations by measuring mounting clips on back of each View board. Center z-bar(s) on View board.
4. Mark z-bar hole locations and install anchors at *EACH* z-bar mounting hole.
5. Install z-bar and z-bar shims in order, as shown in illustrations (Fig. C and D). A shim must be used at *EACH* mounting hole location.
6. Using vacuum glass lifters at each end of the board, lift View and remove bottom black foam and remaining packing material. Inspect back of board to make sure it is free of packaging material.
7. Gently place the View board so the clips on the back of the board rest down into the z-bar. It should take very little effort to install. Do *NOT* pull, twist, or push View to try and force it into position. If it does not rest easily into the z-bar, remove View from the wall, and place it back into the bottom foam packaging, securely upright.
8. Inspect the wall and z-bar for uneven installation, and correct as necessary. Repeat steps 6 and 7 to re-install your View.
9. Once hanging on the wall, gently clean View using lint-free cloths and spray foam glass cleaner. Do not use harsh solvents, paint thinners, or degreasers.