

FLOAT TRANSITION

**PLEASE READ ALL INSTRUCTIONS
BEFORE INSTALLATION**

Installation Instructions



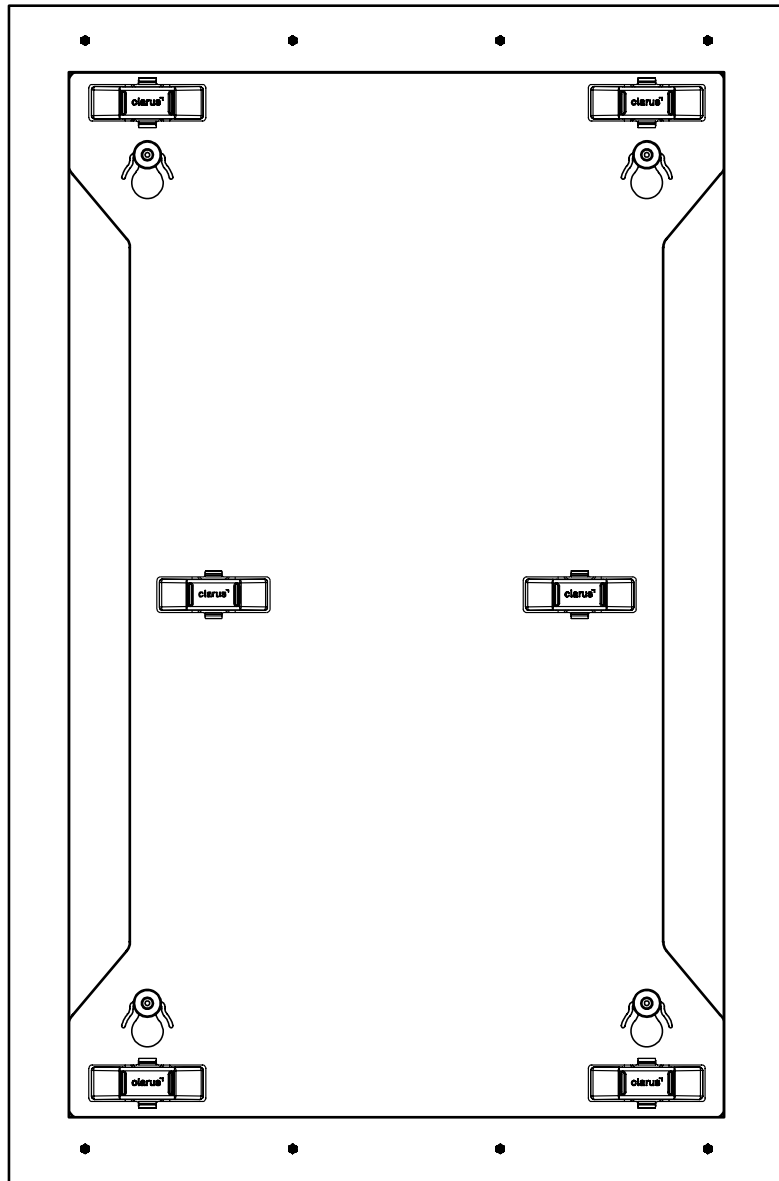


Fig. B

TOOLS NEEDED

- #2 screw driver
- Laser level or bubble level
- 1/4" drill bit (6mm)
- Cordless drill
- Tape measure
- Pencil

PROVIDED HARDWARE

- Flanged stanoffs (Fig. A)
- Standard anchors
- Standard wall screws

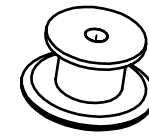


Fig. A

INTRODUCTION

Please read instructions completely before beginning installation. Your Float Transition (Fig. B) board is designed to be disassembled for installation and for periodic cleaning as needed.

Float Transition can be installed on typical 5/8" (16mm) sheetrock partition wall types with the included wall anchors and screws. Float Transition can also be mounted to the following substrates with the noted hardware substitutions:

SMOOTH CONCRETE OR CMU WALLS

Mounting to smooth concrete or CMU walls will require installer to provide 2" (51mm) flat head #8 tapcon, or similar, masonry screws.

SOLID CORE DOORS

Mounting to solid core doors (minimum 1-3/4" or 45mm slab thickness) will require installer to provide 1-1/4" (32mm) #8 flat head wood screws. **Do not use drywall screws.** Installer must verify that door frame and hinge components can support added weight of the Float Transition board.

In all instances, install fasteners per instructions and pre-drill any holes per fastener manufacturer guidelines. Wall areas must be flat to within 1/8" (3mm) for successful installation of Float Transition board. **Do not attempt to mount Float Transition in a manner other than listed. Doing so may cause damage to the Transition board or potential injury to the user.**

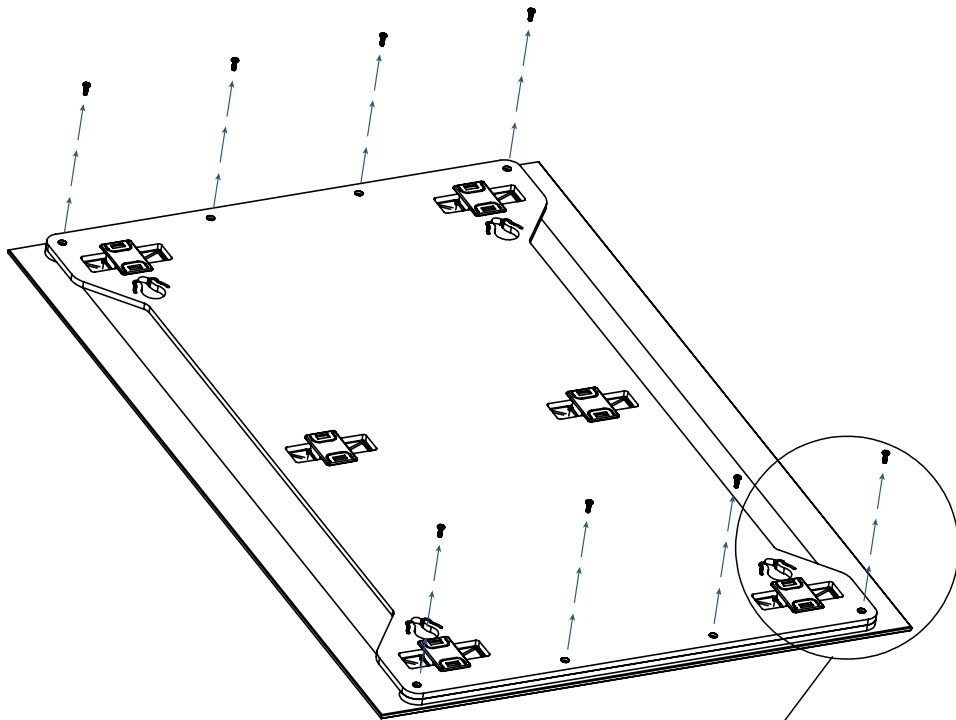
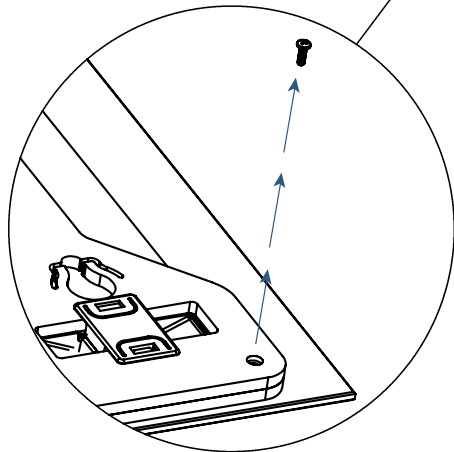


Fig. C



STEP 1

Carefully unpack and inspect your new Float Transition board.

STEP 2

Remove packing material and gently place the Float Transition board on a solid surface, glass facing down. A soft cloth or pad should be placed between the glass and the surface to prevent damage.

STEP 3 (Fig. C)

Using a #2 screwdriver, remove all screws on top and bottom of back panel and set them aside. Do not lose these screws.

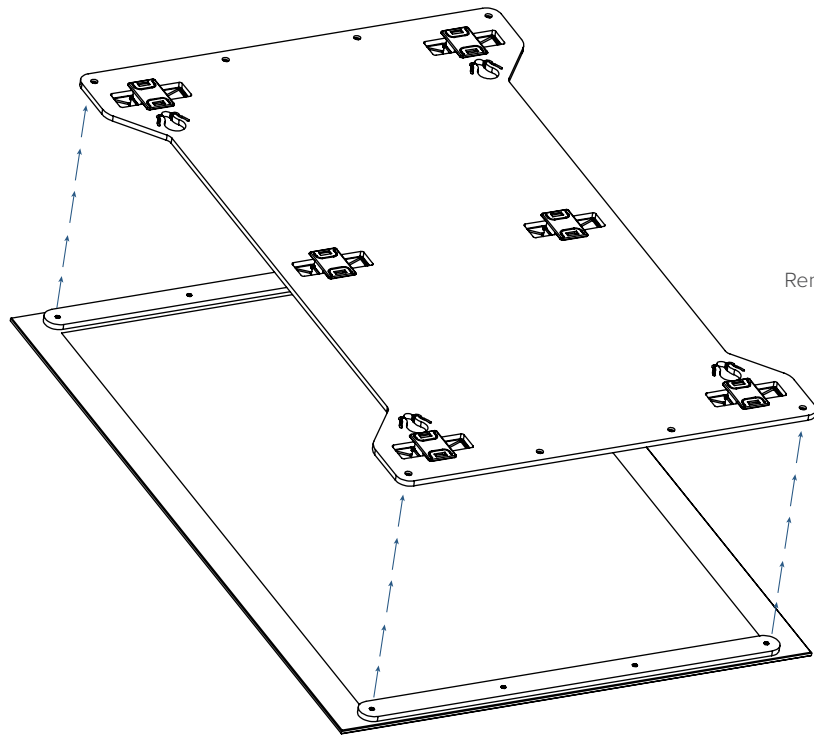


Fig. D

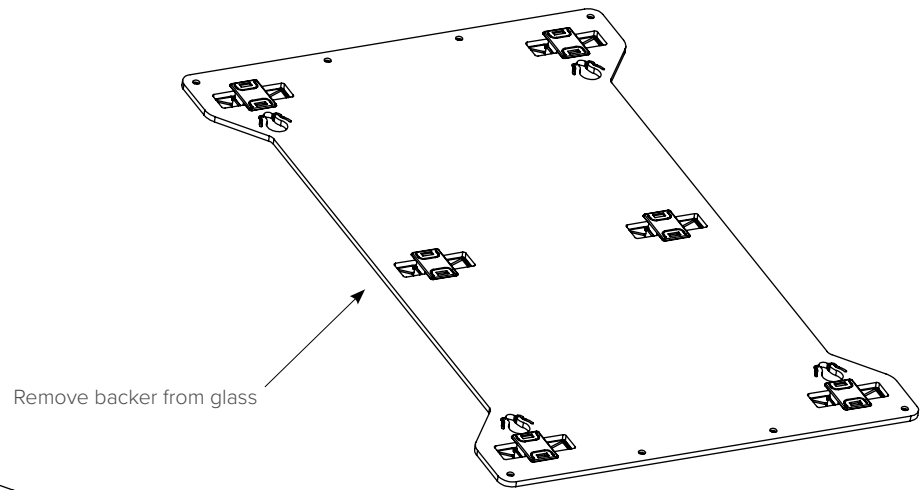


Fig. E

STEP 5

Lift off the backer (**Fig. D**) and set it on an adjacent clean, solid surface. Keep the orientation of the backer the same — back of backer facing up (**Fig. E**).

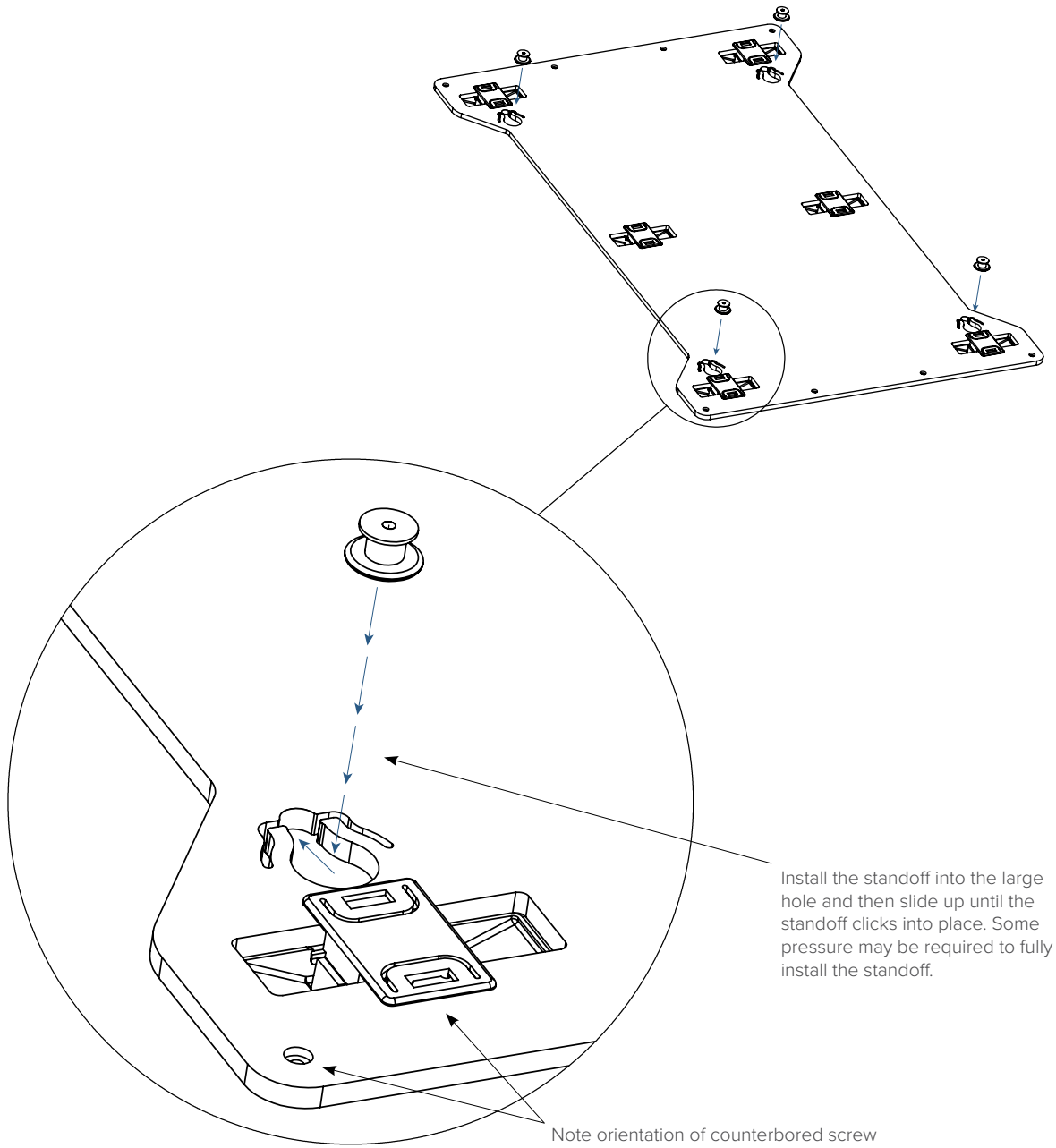


Fig. F

Note orientation of counterbored screw hole and snap in buttons for reference.

Install the standoff into the large hole and then slide up until the standoff clicks into place. Some pressure may be required to fully install the standoff.

STEP 6

For this step, keep the BACK face of the backer facing out.

STEP 7

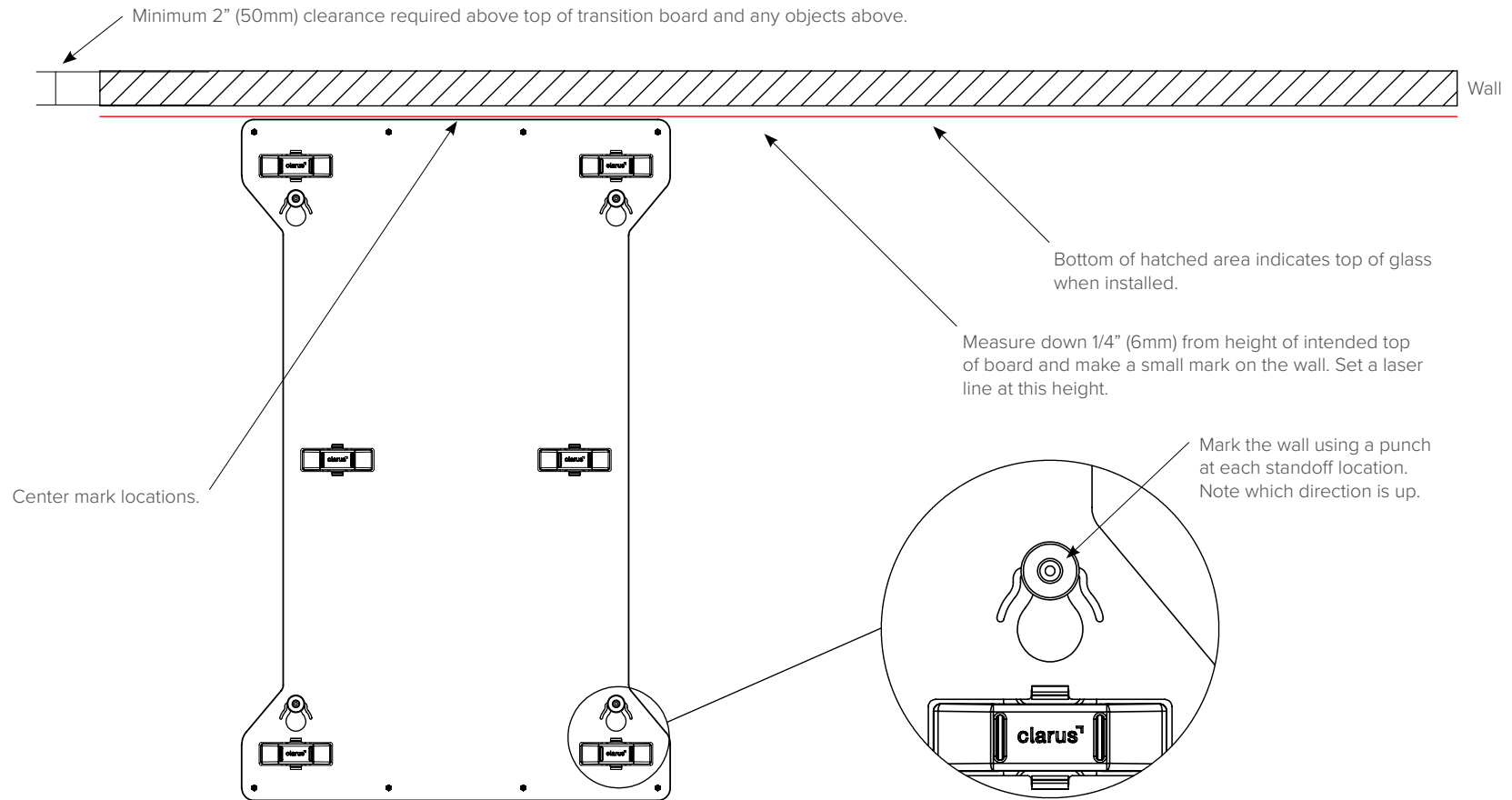
Locate the white plastic standoffs included in the hardware kit. You will have 1 for every mounting hole location.

STEP 8 (Fig. F)

Snap one standoff into each mounting hole location as shown.

STEP 9

Note the orientation of the face of the back panel, and the orientation of the standoff. Standoffs must be installed in the correct orientation.



TIP: If installing multiple Float Transition boards that are the same size, one backer panel can be used as the installation template for all boards. This will minimize the number of Float Transition boards that need to be disassembled. All back panels are CNC cut so alignment will not be an issue from board to board.

STEP 10

Measure and layout the intended height of the Float Transition board. (This is the top of the glass when installed).

STEP 12

Turn the backer over so that now the FRONT side is facing you.

STEP 14

Place a small center mark on the laser line to indicate the center of the board.

STEP 11

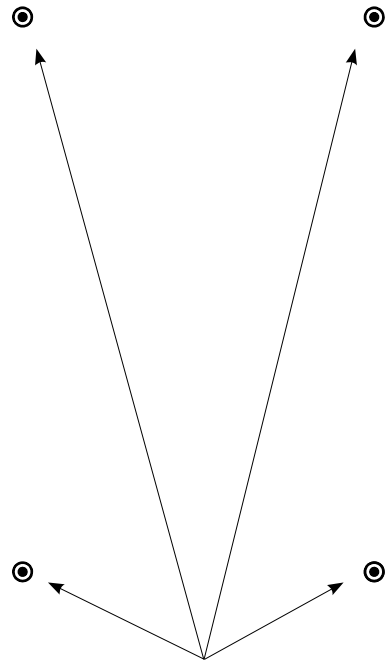
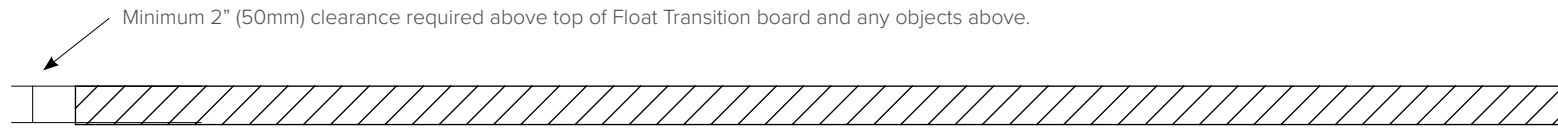
Make a small mark 1/4" (6mm) BELOW this height and set a laser line at this level. This is the height of the back panel.

STEP 13

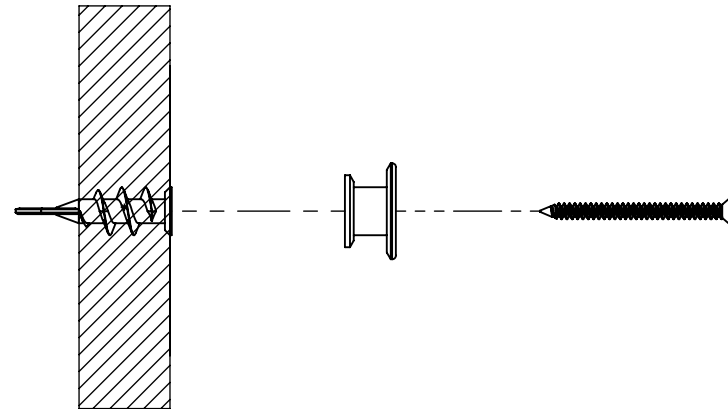
Measure and place a center mark on the top of the backer.

STEP 15

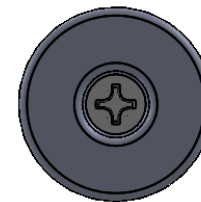
With a second person's help, hold the backer up against the wall and align the top edge with laser line and align the center marks made on the backer and wall. While holding the backer in position, mark the standoff locations by using a punch or nail to mark the wall through the center of the standoff.



Standoff orientation for a 24" x 36" (610mm x 614mm) portrait board shown. Actual number and configuration of standoffs will depend on actual size ordered.



Note correct standoff to wall orientation below. This orientation is critical to the successful installation of the Float Transition Board.



View of completed installed standoff.

STEP 16

Set the backer down and drill 1/4" (6mm) holes at each marked standoff location.

STEP 17

Install provided wall anchors. Hand tighten only.

STEP 18

Install provided anchor screws through standoffs and into wall anchors. Hand tighten only. Note orientation of standoff for correct installation.

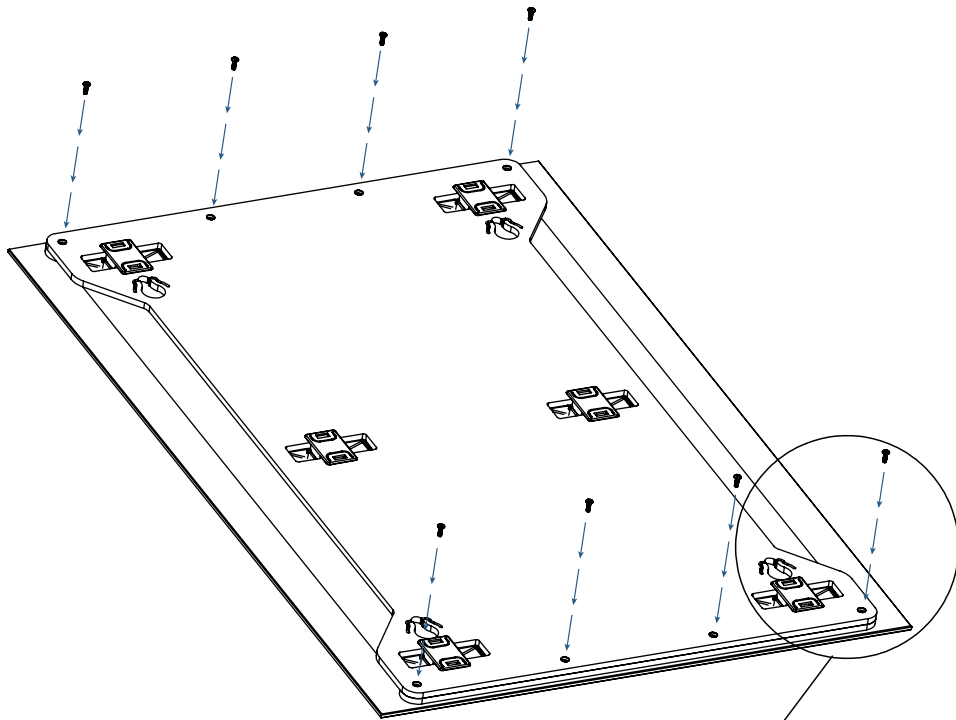
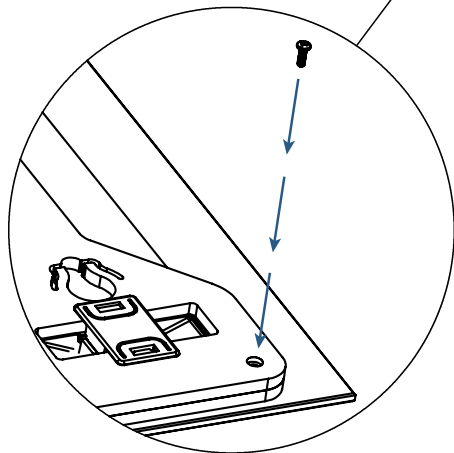


Fig. G



STEP 19

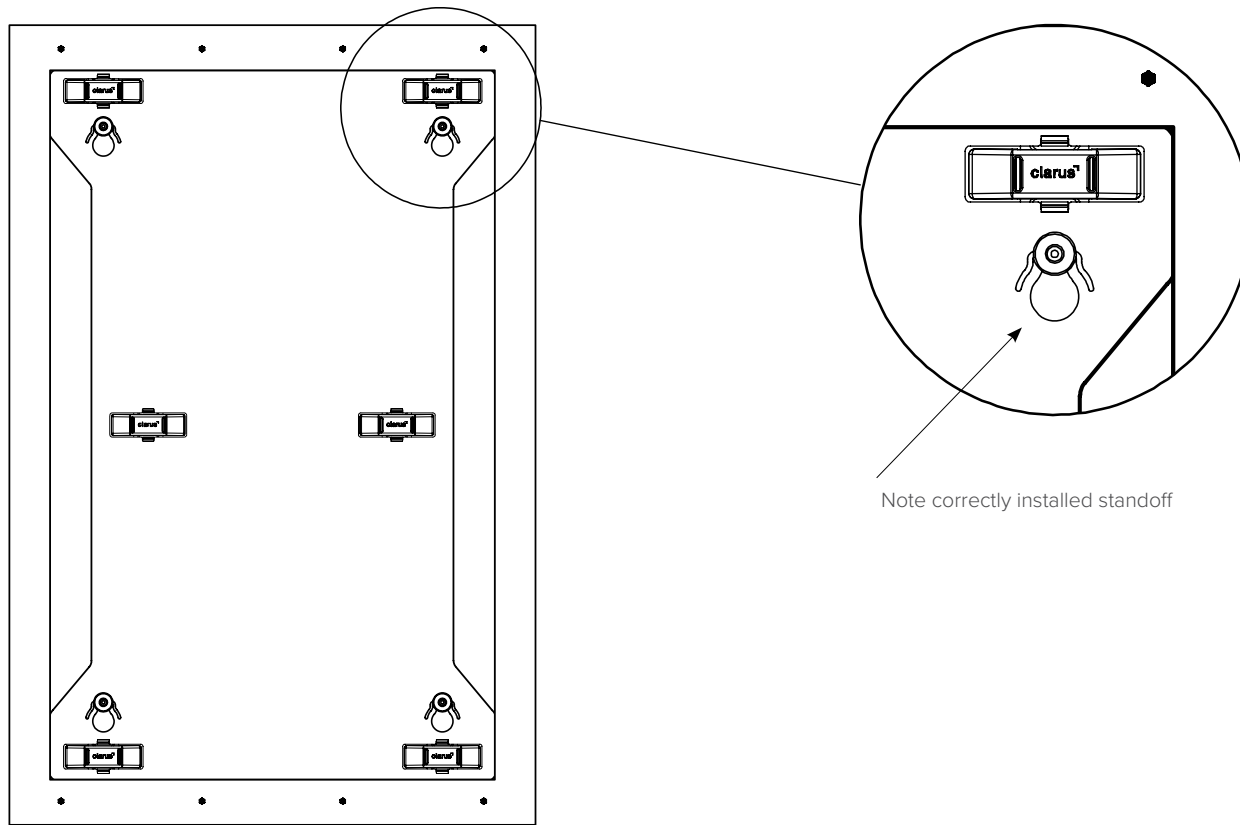
Inspect the inside surface of the disassembled piece of glass. If needed, clean this glass prior to reassembly with foam glass cleaner and clean, lint free towels.

STEP 20

Carefully place Float Transition backer back on top of glass board. Make sure to orient the back panel in the same way it was removed.

STEP 21 (Fig. G)

Reinstall screws into all upper and lower hole locations. Hand tighten only.



STEP 22

Carefully align the assembled Float Transition board mounting hole locations with the standoffs installed in the wall.

STEP 23

Slide the board down onto the standoffs until it clicks into place.

STEP 24

Install your chosen graphic by gently sliding it in from either side. Some slight resistance is normal as you push the graphics past the support buttons.

STEP 25

Locate the elastic side closure in your hardware pack. Stretch this around the Float Transition board, behind the glass, so that it rests evenly against the backer around the entire board. (To remove this closure, simply pinch the fabric in any corner and gently pull it out away from the board).

STEP 26

Clean the front of the glass surface if needed with foam glass cleaner and clean lint free towels.

INSTALLATION IS NOW COMPLETE!